

## Specification

Model	TR-D3223WDZIR3
Image sensor	1/2.8" STARVIS CMOS 2MP
Resolution	FullHD (1920x1080)
Frame rate	FullHD@25fps
Day/Night Mode	Mechanical ICR
Sensitivity	0.003Lux (F1.6) / 0Lux (IR on)
IR range	up to 30 m
Lens (mm)	2.7 - 13.5 (motorized)
Digital noise reduction	3D-DNR
WDR	Real WDR (120dB)
Video compression	H.264 / H.265
Bitrate	8Mbps
Local storage	MicroSD up to 128GB
Audio	2-way
Alarm In / Out	1 / 1
Power supply	PoE (802.3af) / 12V DC
PoE Class	3
Power consumption	DC: 8W PoE: 8.8 W
Dimensions (mm)	ø116 x 90.91
Net weight (g)	450
Ingress protection	IP67, IK10
Working temperature	-40°C ... +60°C

## Camera Package

IP camera	1 pc
User manual	1 pc
Mounting kit	1 pc

## Technical support

www: [helpdesk.trassir.com](http://helpdesk.trassir.com)  
mail: [helpdesk@trassir.com](mailto:helpdesk@trassir.com)

## TR-D3223WDZIR3

2MP Motorized Lens Minidome IP camera



Data \_\_\_\_\_ Stamp \_\_\_\_\_

Here is the confirmation form for warranty assurance

**Note: read user manual before using**  
Website: [www.trassir.com](http://www.trassir.com)  
For any inquiry: [info@trassir.com](mailto:info@trassir.com)

## Introduction

Congratulations with purchasing of IP camera TR-D3223WDZIR4. Please read User Manual before using a camera.

## Key features

- Support codec H.265
- Wide Dynamic Range (Real WDR 120dB)
- Digital Noise Reduction (3D-DNR)
- Support of 2 video streams
- Two-way audio (1 in / 1 out, built-in microphone)
- Alarm: 1 in / 1 out
- Onboard video archive (Edge Storage) – local recording on MicroSD card\* up to 128GB
- IR range up to 30 m
- Power supply 12V DC or PoE

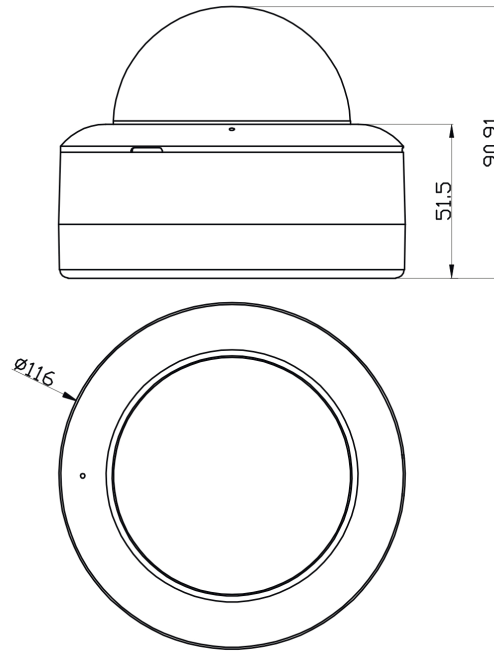
\* MicroSD Card is not included into camera package

## Connecting

To get started with IP camera you are required to have a PC connected to the local network with Windows installed and Internet Explorer version 8 or higher.

1. Connect IP camera to the network.
2. When the camera is connected through a switch which doesn't support PoE, connect 12V AC adapter to power jack.

## Dimensions



## Notes:

Power supply should meet the requirements: output voltage, current, polarities and working temperature. Pay attention that you have lightning conductor while using IP camera during a storm or plug off power connector.

Pay attention to temperature requirements of IP-camera. Avoid of using IP camera in high or low temperatures.

Don't install your IP camera near heaters.

Don't direct camera lens to the sun or bright object. It could harm your image sensor.

## Manual setting of network parameters.

IP-camera and PC should be in one local network to connect to each other. In this case IP address of a camera, PC or any other devices shouldn't match each other.

IP camera has the following default settings:

- IP address: 192.168.1.188
- Subnet mask: 255.255.0.0
- Gateway: 192.168.1.1
- HTTP-port: 80
- username: admin
- password: admin

Example of network settings for PC to connect to IP camera:

- IP address: 192.168.1.10;
- Subnet mask: 255.255.0.0.

There are 3 options to set up your camera:

1. Change IP address of a camera manually.  
Start your browser, connect to IP camera and enter your username and password. Choose appropriate menu item and change network settings of IP camera.
2. Set IP address of a camera using fast configuration utility which could be downloaded from [www.trassir.com](http://www.trassir.com).
3. Change IP camera settings using TRASSIR professional software.

Find detailed instruction on camera settings in user manual which could be downloaded from our website [www.trassir.com](http://www.trassir.com).